

PLANT ON 20

MOULDING # PL 20

CUSTOMER: _____

COMMENTS: _____

[HOME](#)

[PROFILE CATALOG](#)

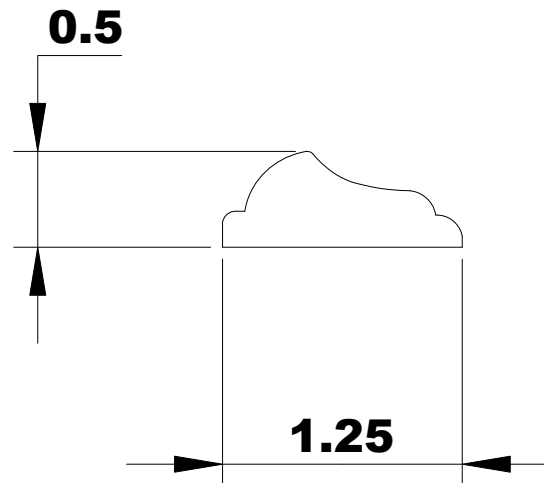
[CUSTOM KNIVES](#)

[ORDER](#)

[TOOLING](#)

1 1/4 X 1/2 PLANT ON 20
PLANT ONs ARE GENERAL PURPOSE MOULDINGS THAT CAN HAVE VIRTUALLY UNLIMITED APPLICATIONS. IT CAN BE USED TO FRAME PANELS, OR AS A BASE CAP ON TOP OF S4S. USE IN AN ARCHITRAVE BUILD UP, OR AS A SMALL SOLID CROWN. YOU CAN EASILY ADD VISUAL INTEREST ANYWHERE THE DESIGN DEMANDS. OUR HIGH QUALITY GRINDING PROCESS ENSURES PRECISION AND SMOOTH FINISHES ON YOUR LUMBER. ONLY THE FINEST TOOL STEELS AND CARBIDE ARE UTILIZED IN THE PRODUCTION OF OUT CUTTERS.

INSIDE OF MACHINE (FENCE)



OUTFEED VIEW COMING