

# PANEL MOULD 21

MOULDING # **PA 21**

CUSTOMER: \_\_\_\_\_

COMMENTS: \_\_\_\_\_

[HOME](#)

[PROFILE CATALOG](#)

[CUSTOM KNIVES](#)

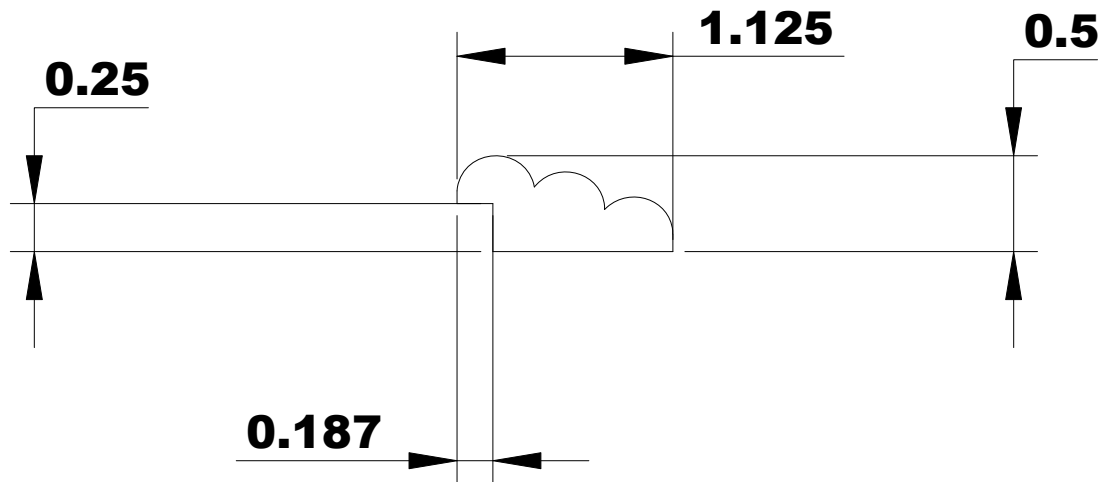
[ORDER](#)

[TOOLING](#)

1 1/8 X 1/2 PANEL MOULD 21

This is a great panel moulding to go with a clam-shell design theme case & base. Because of its small size, this is an excellent profile to run with off-fall.

INSIDE OF MACHINE ( FENCE )



OUTFEED VIEW COMING