

MITERED CABINET 9

MOULDING # **MC 9**

CUSTOMER: _____

COMMENTS: _____

[HOME](#)

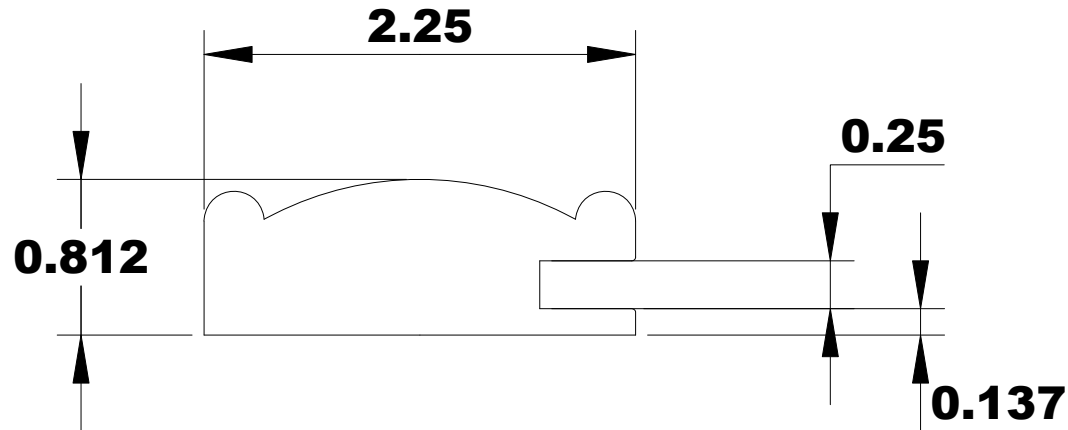
[PROFILE CATALOG](#)

[CUSTOM KNIVES](#)

[ORDER](#)

[TOOLING](#)

2 1/4 X 13/16 MITERED CABINET 9
GIVE BEAUTY AND GRACE TO YOUR CASEWORK
PROJECTS THAT ONLY MITERED CABINET
PROFILES CAN PROVIDE, THESE DESIGNS CAN
NOT BE ACHIEVED WITH THE COPE AND STICK
METHOD OF CONSTRUCTION. CARBIDE AND HSS
CORRUGATED KNIVES ARE AVAILABLE FOR
MOST MOULDERS, SHAPERS AND PLANERS.



INSIDE OF MACHINE (FENCE)

OUTFEED VIEW COMING