

# MITERED CABINET DRAWER FRONT 3

MOULDING # **MC DF3**

CUSTOMER: \_\_\_\_\_

COMMENTS: \_\_\_\_\_

[HOME](#)

[PROFILE CATALOG](#)

[CUSTOM KNIVES](#)

[ORDER](#)

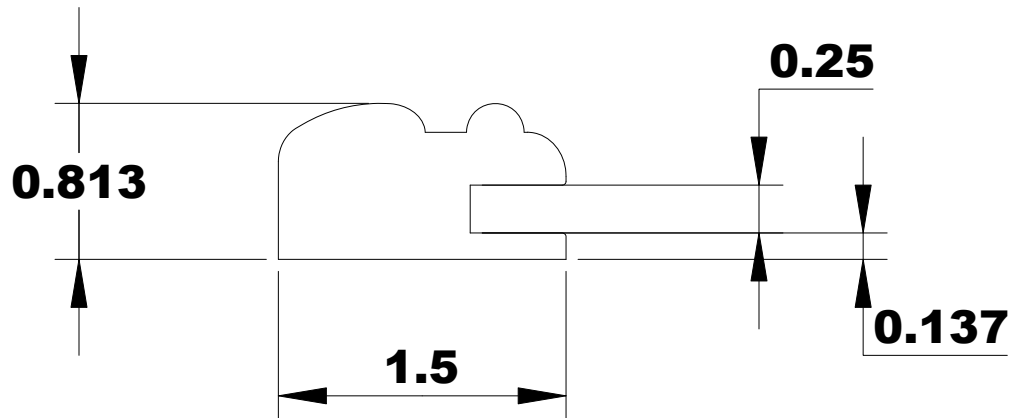
[TOOLING](#)

Combine MC DF3 with MC 3 for your dream set of cabinets. This is becoming a very popular design in todays market. A .765 outer stretched curve leads to a .216 recessed flat in the middle. A half 3 leaf clover design frames the inner panel.



Please always wear eye and ear protection every time you turn on a machine. Take it from an older fellow with ringing in his ears and scratches on his eyeball, you'll be happy you did!

INSIDE OF MACHINE ( FENCE )



OUTFEED VIEW COMING