

# CHAIR RAIL 39

MOULDING # **CH 39**

CUSTOMER: \_\_\_\_\_

COMMENTS: \_\_\_\_\_

[HOME](#)

[PROFILE CATALOG](#)

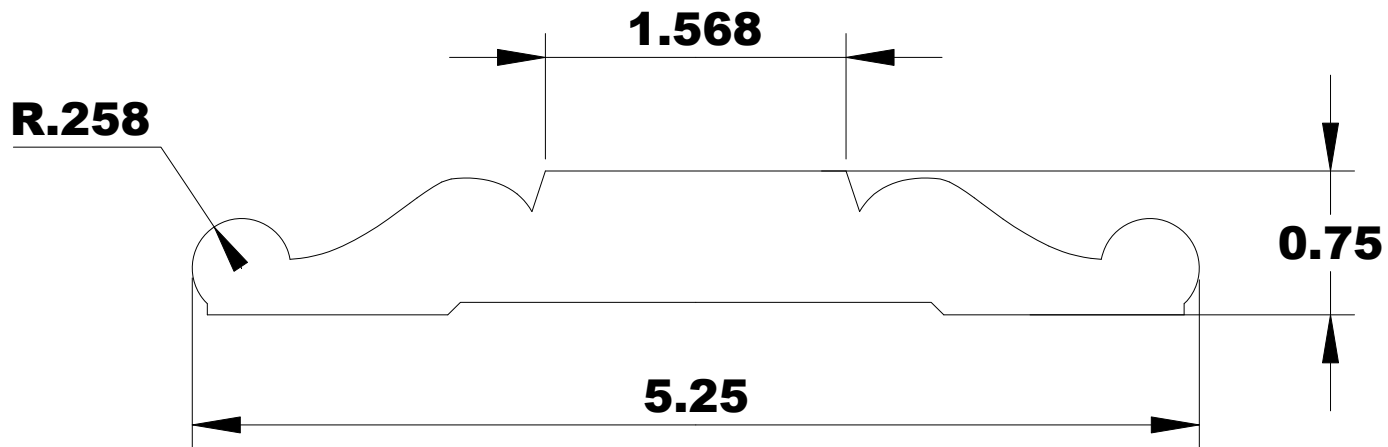
[CUSTOM KNIVES](#)

[ORDER](#)

[TOOLING](#)

5 1/4 X 3/4 CHAIR RAIL 39  
ADD ELEGANCE TO ANY SITTING ROOM WITH  
HIGH QUALITY SHAPER KNIVES AND MOULDING  
CUTTERS. HIGH SPEED STEEL KNIFE SETS MADE  
QUICKLY TO DEMANDING SPECIFICATIONS.

INSIDE OF MACHINE ( FENCE )



OUTFEED VIEW COMING