

CHAIR RAIL 31

MOULDING # **CH 31**

CUSTOMER: _____

COMMENTS: _____

[HOME](#)

[PROFILE CATALOG](#)

[CUSTOM KNIVES](#)

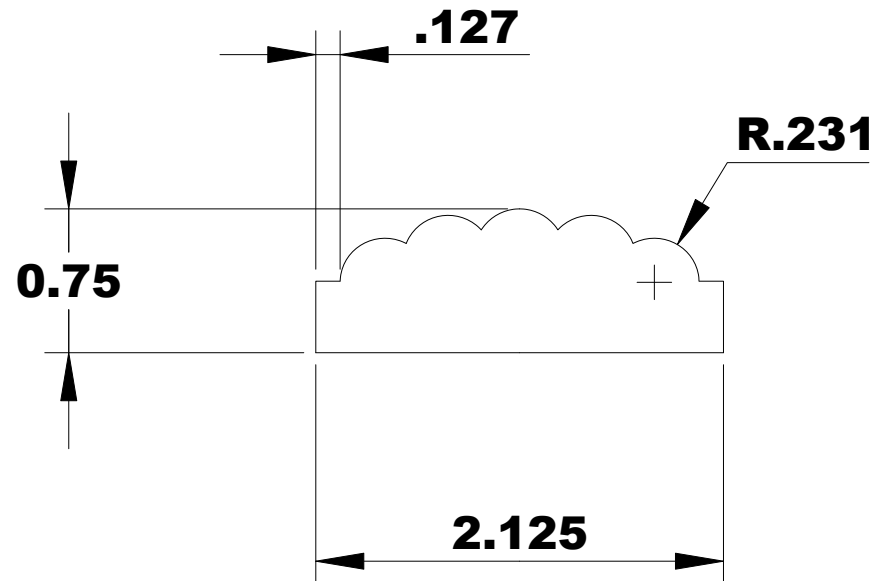
[ORDER](#)

[TOOLING](#)

2 1/8 X 3/4 CHAIR RAIL 31

A beautiful 2 1/8" wide moulding, that can compliment many architectural lay-outs. CH 31 is a favorite for "Nautical" design themes, because the surface brings a "clam shell" shape to mind. Knives can be made in steel or carbide to accommodate your milling needs.

INSIDE OF MACHINE (FENCE)



OUTFEED VIEW COMING